

<b>PROPRIETARY INFORMATION:</b> PROPRIETARY OF GLOBTEK, INC. ANY REPRODUCTION, DISCLOSURE OR USE OF THIS DRAWING, IN WHOLE OR IN PART, IS HEREBY PROHIBITED EXCEPT AS SPECIFIED IN WRITING BY GLOBTEK, INC.	REVISION			
	REV	DESCRIPTION	DATE	APPROVED
	A	INITIAL RELEASE	04/04/03	PM
	B	ADD WEEE TO LABEL, RFS. 6271, SO	05/25/05	DMR
	C	ADD ROHS, UPDATE CASE, LABEL, O/P CURRENT, RFS. 10211, FS	02/01/07	HM
	D	ADD CH. ROHS, RFS. 10937, JS	05/10/07	HM
E	UPDATE MODEL #, RFS. 13830, BS	06/05/08	HM	



**1. NOTES:**

DIMENSIONS ARE IN MM UNLESS SPECIFIED OTHERWISE.

**2. ELECTRICAL SPECIFICATIONS:**

INPUT VOLTAGE:	90 VAC TO 264 VAC
INPUT CURRENT:	< 0.2 A rms AT 90 VAC
INPUT FREQUENCY:	47 - 63 HZ
OUTPUT VOLTAGE :	+6VDC
OUTPUT CURRENT:	0-833A, NO MINIMUM LOAD REQUIRED TO MAINTAIN OUTPUT VOLTAGE REGULATION
OUTPUT POWER (RATED):	5 WATTS MAX
OUTPUT RIPPLE VOLTAGE (PEAK TO PEAK):	+/-1% OR 100 mV WHICHEVER IS GREATER AT NOMINAL OUTPUT VOLTAGE. MEASURED AT 20 MHz BANDWIDTH WITH 0.1µf CERAMIC CAPACITOR IN PARALLEL WITH 10 µf ELECTROLYTIC CAPACITOR CONNECTED AT THE END OF THE OUTPUT CONNECTOR
OUTPUT LOAD REGULATION:	± 8% MAXIMUM OF NOMINAL OUTPUT, MEASURED AT O/P CONNECTOR
LINE REGULATION:	± 2 % MAX AT FULL LOAD
TURN ON/ TURN OFF OVERSHOOT:	± 10% OF RATED OUTPUT VOLTAGE MAXIMUM FOR 25% STEP LOAD
TURN-ON DELAY:	2 SEC MAXIMUM
HOLD-UP TIME:	5 mSEC MIN AT NOMINAL INPUT AND FULL LOAD
INRUSH CURRENT:	40 A MAX AT COLD START AT 120 VAC, 80A MAXIMUM AT 230 VAC.
EFFICIENCY:	50 % MINIMUM
SWITCHING FREQUENCY:	VARIABLE DEPENDING ON LOAD AND LINE VOLTAGE
OVER CURRENT:	PROTECTED. UNIT WILL AUTORECOVER UPON REMOVAL OF FAULT
SHORT CIRCUIT:	PROTECTED. UNIT WILL AUTORECOVER UPON REMOVAL OF FAULT
OVER-VOLTAGE:	PROTECTED WITH ZENER CLAMP ACROSS OUTPUT
OTHER PROTECTION:	INPUT FUSING
SAFETY APPROVALS :	UL60950 3rd ED., CUL, CLASS II
DIELECTRIC WITHSTAND VOLTAGE:	4242 VDC PRIMARY TO SECONDARY
LEAKAGE CURRENT:	≤ 0.25 mA AT 240 VAC
EMI:	FCC PART 15 CLASS B WHEN TESTED WITH A RESISTIVE LOAD, BOTH CONDUCTED AND RADIATED
MTBF:	200,000 HOURS AT 25 °C AMBIENT TEMPERATURE
OPERATING TEMPERATURE:	0°C TO 40° C
STORAGE TEMPERATURE:	-20° TO 60° C
HUMIDITY:	5 TO 95% RELATIVE HUMIDITY
WEIGHT:	90 g MAX
ROHS:	COMPLIES WITH EU 2002/95/EC AND CHINA SJ/T 11363-2006

Foot Note: Globtek Inc. will not be liable for the safety and performance of these power supplies if unauthorized access and repair occurs. End user should consult applicable UL, CSA or EN standards for proper installation instructions	DASH NO.	PART NO	REV.	DESCRIPTION	NOTES	
	<b>TABULATION BLOCK</b>					
	Limitation of Use: Globtek product are not authorized for use as mission critical components in life support, hazardous environment, nuclear or aircraft applications without prior written approval from the CEO of Globtek Inc.		<b>TOLERANCES:</b> DECIMALS    ANGULAR .xx +/- 0.1    +/- 1° .xxx +/- .005		<b>186 Veterans Dr. Northvale, NJ 07647</b> <b>Tel. 201-784-1000 Fax 201.784.0111</b> <b>www.globtek.com</b>	
	INIT.BY: DR	DATE: 04/04/03	<b>MILLIMETERS    ANGULAR</b> .xx +/- 0.3    +/- 1° .xxx +/- .013			
DRAWN: NF	DATE: 04/04/03	FSCN No.: G, Y	SIZE A	DWG TITLE: N.A. WALL PLUG-IN SWITCHING POWER SUPPLY, 5 WATT, 6.0 V DC @ 0.833 A		
Contents of this document are subject to change without prior notice	APRVD :PM	DATE: 04/04/03	CAGE CODE: 0GV V90 SCALE: NONE	MODEL NO: GT-A81051-0507-1.0UW2	REV. E	
				PART NO: <b>WR9HB830LCP-F(R)</b>	SHEET 1 OF 4	

**PROPRIETARY INFORMATION:**

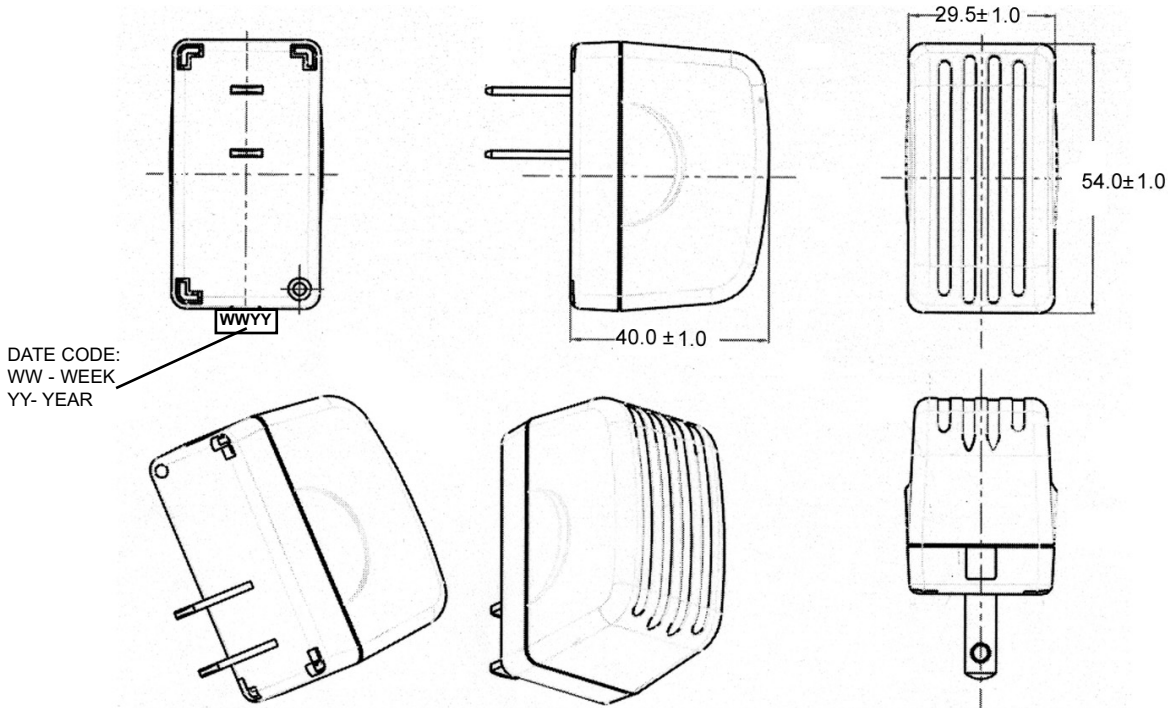
PROPRIETARY OF GLOBTEK, INC. ANY REPRODUCTION, DISCLOSURE OR USE OF THIS DRAWING, IN WHOLE OR IN PART, IS HEREBY PROHIBITED EXCEPT AS SPECIFIED IN WRITING BY GLOBTEK, INC.

**3. ENCLOSURE:**

UPPER HOUSING: HIGH IMPACT PLASTIC, 94V0 POLYCARBONATE, NON-VENTED, COLOR BLACK

LOWER HOUSING: HIGH IMPACT PLASTIC 94V0 POLYCARBONATE, NON- VENTED, COLOR BLACK

SIZE: 54.0 x 40.0 x 29.5 ± 1 mm



**4. INPUT PLUG:**

CONFIGURATION: CLASS II MODEL NEMA 1-15P AC POWER PLUG WITH 2 PRONGS

**5. OUTPUT CORD:**

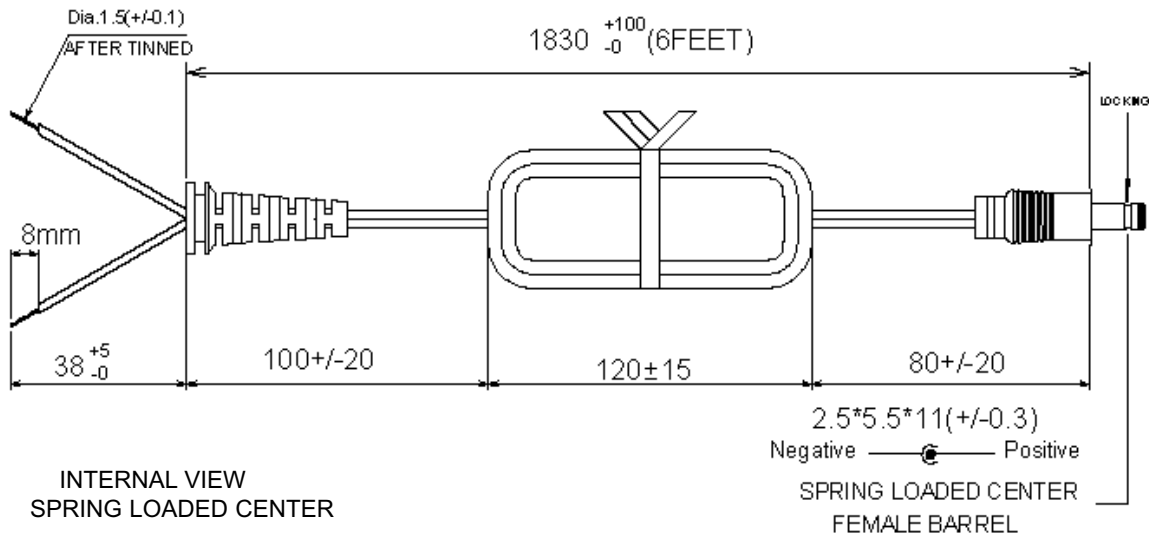
2 CONDUCTOR, 20 AWG STRANDED WIRE, FLAT VW-1 RATED UL 2468, COLOR BLACK, LENGTH (L) OF CORD: 1830 +100, -0mm.

CORD IS MEASURED FROM THE HOUSING TO THE END OF OVERMOLD OF THE CONNECTOR.

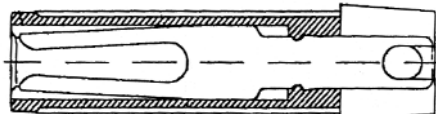
CABLE IS TO BE MARKED WITH WIRE GAUGE, AND ALL APPLICABLE RATING AND SAFETY APPROVALS.

**6. OUTPUT CONNECTOR:**

STANDARD, STRAIGHT FEMALE BARREL 5.5 x 2.5 x 11 mm (SPRING LOADED WITH LOCKING NOTCH), WITH CENTER POSITIVE



INTERNAL VIEW  
SPRING LOADED CENTER



<b>GlobTek, Inc.</b> www.globtek.com		186 Veterans Dr. Northvale, NJ 07647 Tel. 201-784-1000 Fax 201.784.0111
DWG TITLE: N.A. WALL PLUG-IN SWITCHING POWER SUPPLY, 5 WATT, 6.0 V DC @ 0.833 A		
MODEL NO:	GT-A81051-0507-1.0UW2	REV. E
PART NO:	WR9HB830LCP-F(R)	SHEET 2 OF 4

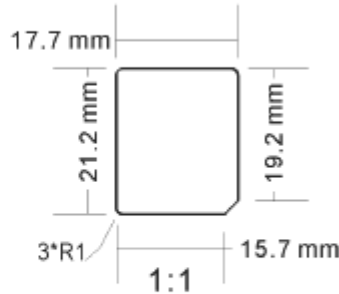
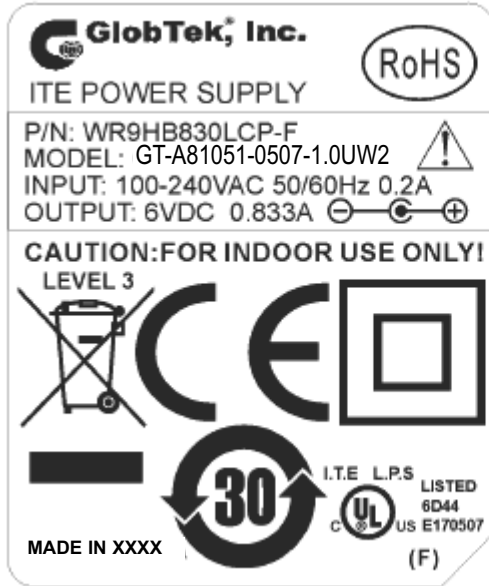
**PROPRIETARY INFORMATION:**

PROPRIETARY OF GLOBTEK, INC. ANY REPRODUCTION, DISCLOSURE OR USE OF THIS DRAWING, IN WHOLE OR IN PART, IS HEREBY PROHIBITED EXCEPT AS SPECIFIED IN WRITING BY GLOBTEK, INC.

**7. LABEL:**

MATERIAL: .007 (0.18) THICK FLAT THERMAL TRANSFER, IMPRINTABLE, BLACK POLYESTER SHEET WITH WHITE OR SILVER TEXT.

MANUFACTURER: STEVEN LABEL, MATERIAL I.D. NO.3302-33, UL FILE NO. MH12821(N), UL MATERIAL DESIGNATION FILE NO. GHW332RL. OPTIONAL LABEL MATERIAL CAN BE SUBSTITUTED PROVIDING MATERIAL IS UL LISTED AND COMPLIES WITH APPLICABLE SAFETY REQUIREMENTS.



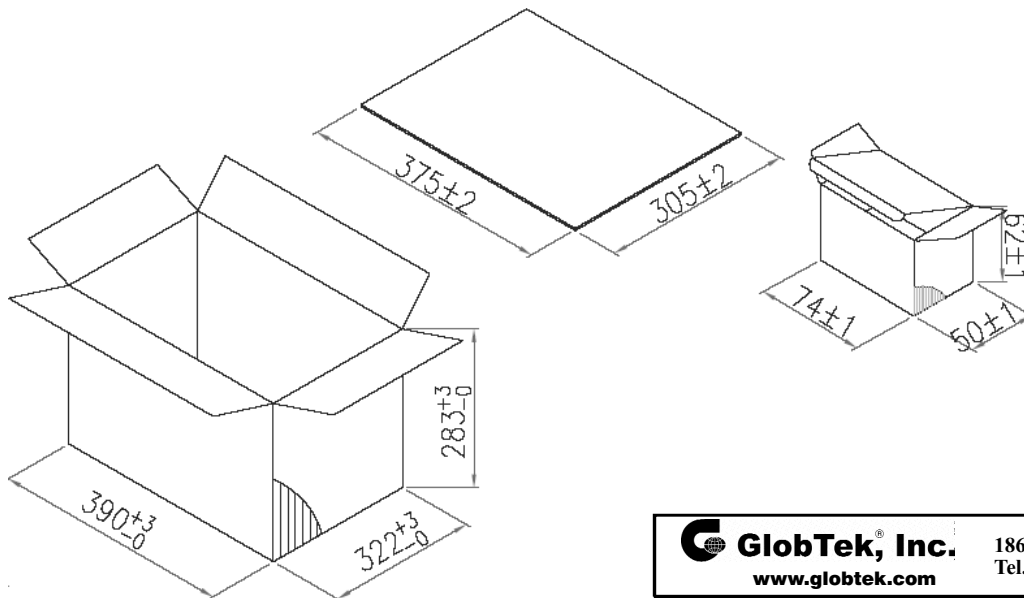
XXXX - USA OR CHINA


**ACTUAL POSITIONING OF SYMBOLS AND TEXT**

**8. INDIVIDUAL PACKING BOX:**

MATERIAL: CORRUGATED FIBERBOARD, FLUTE 0.8 (2.0) THICK, DOUBLE WALL CONSTRUCTION.

EXTERNAL FINISH: WHITE, COATED WITH GLOSS FINISH (AQUEOUS OR VARNISH) STYLE: TUCK SIDES WITH LOCKING TABS ON BOTH SIDES OF BOX. NO PRINTING ON THE OUTSIDE OF BOX.



 <b>GlobTek, Inc.</b> www.globtek.com	186 Veterans Dr. Northvale, NJ 07647 Tel. 201-784-1000 Fax 201.784.0111
DWG TITLE: N.A. WALL PLUG-IN SWITCHING POWER SUPPLY, 5 WATT, 6.0 V DC @ 0.833 A	
MODEL NO: GT-A81051-0507-1.0UW2	REV. E
PART NO: <b>WR9HB830LCP-F(R)</b>	SHEET 3 OF 4

PROPRIETARY INFORMATION:

PROPRIETARY OF GLOBTEK, INC. ANY REPRODUCTION, DISCLOSURE OR USE OF THIS DRAWING, IN WHOLE OR IN PART, IS HEREBY PROHIBITED EXCEPT AS SPECIFIED IN WRITING BY GLOBTEK, INC.

### CHINA RoHS SELF DISCLOSURE TABLE

有毒有害物质或元素名称及含量标准形式 Name and concentration of hazardous substance or element in product						
零件名 Name of part	剧毒有害物质或元素 Hazardous substance or element					
	铅 Pb	汞 Hg	镉 Cd	六价铬 Cr(VI)	多溴联苯 PBB	多溴二苯醚 PBDE
零件名称 Copper connector	X	○	○	○	○	○
铜引脚 Copper pin	X	○	○	○	○	○
陶瓷 Ceramic	X	○	○	○	○	○
焊接电路中的焊点 Solder point on circuit	X	○	○	○	○	○
铝合金 Aluminum alloy	X	○	○	○	○	○
二极管管脚的焊点 Solder points on diode and triode	X	○	○	○	○	○

O: 表示该有毒有害物质在这部件中所有同质材料中的含量均在SJ/T 11363-2006规定的限量要求以下。

O: refers to the concentration of this hazard substance in the all homogenous materials in this part is below the concentration limit as stipulated in the standard SJ/T 11363-2006.

X: 表示该有毒有害物质至少在这部件中的某一同质材料中的含量超出 SJ/T 11363-2006规定的限量要求。

X: refers to the concentration of this hazard substance at least in a homogenous material is higher than the concentration limit, as stipulated in the standard SJ/T 11363-2006.

 **GlobTek, Inc.**  
www.globtek.com

186 Veterans Dr. Northvale, NJ 07647  
Tel. 201-784-1000 Fax 201.784.0111

DWG TITLE: N.A. WALL PLUG-IN SWITCHING POWER SUPPLY,  
5 WATT, 6.0 V DC @ 0.833 A

MODEL NO: GT-A81051-0507-1.0UW2

REV.  
E

PART NO: **WR9HB830LCP-F(R)**

SHEET 4 OF 4