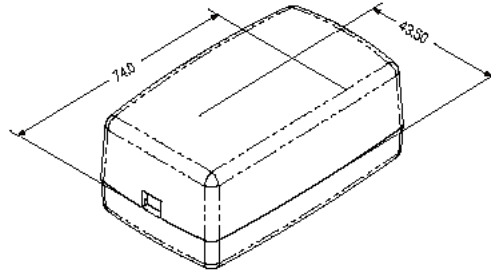
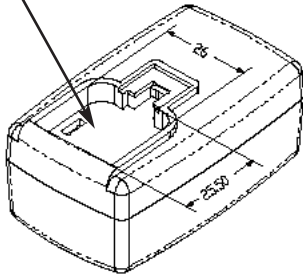


PROPRIETARY INFORMATION:  
 PROPRIETARY OF GLOBTEK, INC. ANY REPRODUCTION, DISCLOSURE OR  
 USE OF THIS DRAWING, IN WHOLE OR IN PART, IS HEREBY  
 PROHIBITED EXCEPT AS SPECIFIED IN WRITING BY GLOBTEK, INC.

REVISION			
REV	DESCRIPTION	DATE	APPROVED
A	INITIAL RELEASE, RFS. 21981, MS	12/05/11	HM
B	UPDATE BRAZIL PLUG DIMENSIONS, RFS.22234	01/16/12	HM
C	ADD MECHANICAL DRAWING, RFS. 24375, SO	03/06/13	HM
D	REMOVE "PRELIMINARY" FROM PAGE 1, RFS.27056, JS	04/11/18	MK



STANDARD OPTION SHIPS  
 WITHOUT AC PINS INSTALLED

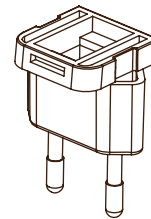
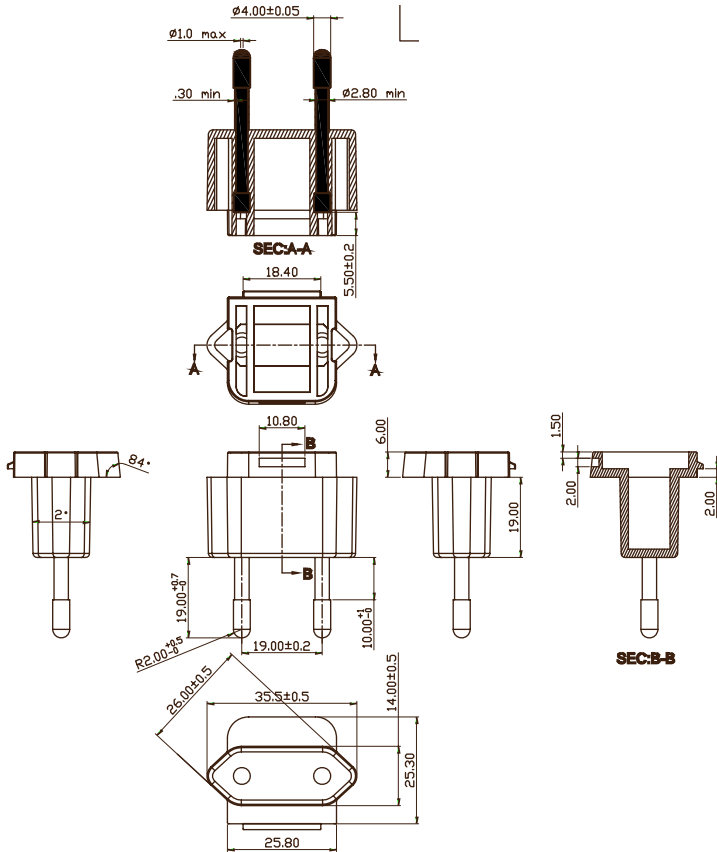


**1. MATERIAL**

HIGH IMPACT PLASTIC, 94V0 POLYCARBONATE, NON-VENTED, COLOR BLACK

**2. INPUT CONNECTOR:**

BRAZIL CONFIGURATION NBR6147: BRAZIL 2 PINS, CLASS II



**Note:**

1. No label tolerance refer to tolerance sheet.
2. "\*" is the important dimension.
3. Plastic material: PC+ABS 94-V0.
4. Color: Black.
5. Metal pin material: Brass.
6. Metal pin Finish: nickelage.

RANGE	GRADE 1	GRADE 2	GRADE 3
0-4	+/-0.05	+/-0.1	+/-0.2
4-16	+/-0.08	+/-0.15	+/-0.3
16-64	+/-0.12	+/-0.25	+/-0.5
64-250	+/-0.25	+/-0.4	+/-0.8

**RELEASED**  
 By N.Frost at 1:51 pm, Apr 11, 2018

Foot Note:	DASH NO.	PART NO	REV.	DESCRIPTION	NOTES
Globtek Inc. will not be liable for the safety and performance of these power supplies if unauthorized access and repair occurs. End user should consult applicable UL, CSA or EN standards for proper installation instructions				<b>TABULATION BLOCK</b>	
Limitation of Use: Globtek product are not authorized for use as mission critical components in life support, hazardous environment, nuclear or aircraft applications without prior written approval from the CEO of Globtek Inc.				<b>GlobTek, Inc.</b> www.globtek.com	186 Veterans Dr. Northvale, NJ 07647 Tel. 201-784-1000 Fax 201.784.0111
	INIT.BY: MS	DATE: 12/05/11	TOLERANCES: DECIMALS .xx +/- 0.1 ANGULAR .xxx +/- .005 MILLIMETERS .xx +/- 0.3 ANGULAR .xxx +/- .013	DWG TITLE: BRAZIL INTERCHANGEABLE INPUT BLADES	
	DRAWN: NF	DATE: 12/05/11	FSCN No.: G, N SIZE A	MODEL NO: N/A	REV. D
	APRVD : HM	DATE: 12/05/11	SCALE: NONE	PART NO: Q-BR(R)	SHEET 1 OF 2

