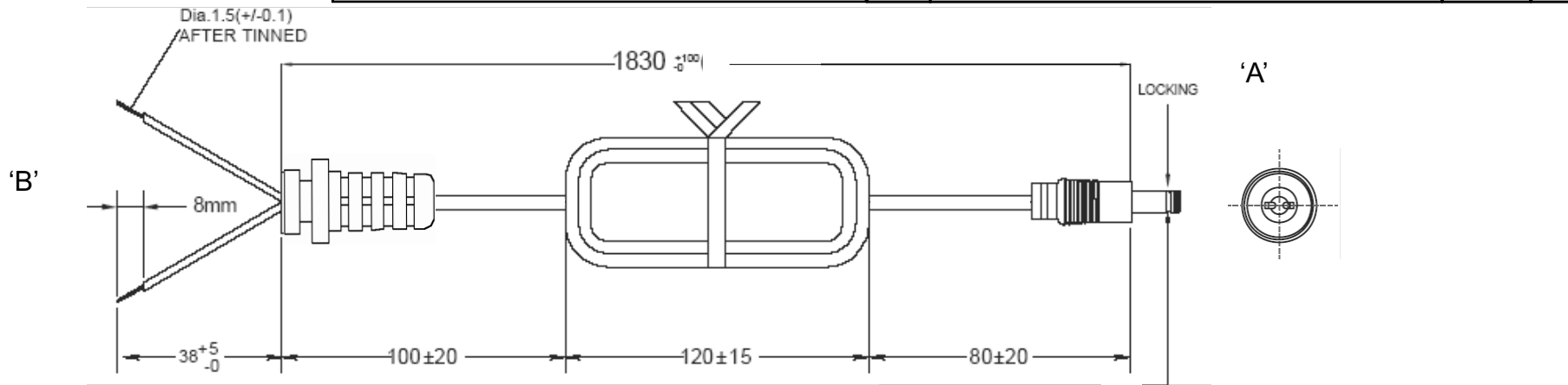


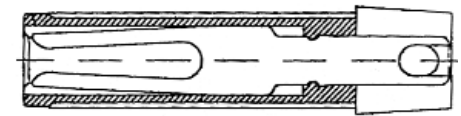
**PROPRIETARY INFORMATION:**  
 PROPRIETARY OF GLOBTEK, INC. ANY REPRODUCTION, DISCLOSURE OR USE OF THIS DRAWING, IN WHOLE OR IN PART, IS HEREBY PROHIBITED EXCEPT AS SPECIFIED IN WRITING BY GLOBTEK, INC.

REVISION			
REV	DESCRIPTION	DATE	APPROVED
A	INITIAL RELEASE, RFS. 17954, CH	01/20/10	HM
B	UPDATE SR TO GTM21097 TYPE, RFS. 18627, BS	05/03/10	HM



2.5\*5.5\*11(+/-0.3)  
 Negative — Positive  
 SPRING LOADED CENTER  
 FEMALE BARREL  
 (BLACK)

INTERNAL VIEW  
 SPRING LOADED CENTER



**GENERAL SPECIFICATIONS:**

VOLTAGE: 300 V  
 TEMPERATURE: 80°C  
 CABLE TYPE / SIZE: SILICONE INSULATION SILICONE JACKET CABLE, 24/0.20, 18 AWG(0.75 mm<sup>2</sup>) x 2C  
 CABLE JACKET COLOR: BLACK  
 CONDUCTORS COLOR: BLUE, BROWN  
 OVERALL LENGTH (L): 1830 + 100, -0 mm  
 END 'A' TERMINATION: STRAIGHT FEMALE BARREL 5.5 x 2.5 x 11 mm (SPRING LOADED WITH LOCKING NOTCH) CENTER POSITIVE (RED)  
 END 'B' TERMINATION: STRIP & TIN  
 STRAIN RELIEF: SR FOR GTM21097 TYPE  
 APPROVALS CABLE: DESIGN TO MEET UL, CSA or cUL  
 APPROVALS CONNECTOR: N/A

**PACKING:**  
 BULK PACKED, BUNDLES OF 25.  
 MAXIMUM SHIPPING CARTON WEIGHT IS 30 KG.

**NOTE:**  
 CORD, PLUG AND CONNECTOR MUST BE MARKED WITH APPROVAL SYMBOLS OR FILE NUMBER(S) IF APPLICABLE.



DASH NO.	PART NO	REV.	DESCRIPTION	NOTES
<b>TABULATION BLOCK</b>				
		<b>TOLERANCES:</b> DECIMALS ANGULAR .xx +/- 0.01 +/- 1° .xxx +/- .005		<b>GlobTek, Inc.</b> www.globtek.com 186 Veterans Dr. Northvale, NJ 07647 Tel. 201-784-1000 Fax 201.784.0111
		<b>MILLIMETERS ANGULAR</b> .x +/- 1.0 +/- 1° .xx +/- 0.5		
INIT.BY: CH	DATE: 01/20/10	<b>DWG TITLE: SILICONE JACKET OUTPUT CABLE ASSEMBLY WITH STRAIN RELIEF</b>		REV. B
DRAWN: NF	DATE: 01/20/10	FSCN No.: G, CC	SIZE: A	
APRVD: HM	DATE: 01/20/10	SCALE: NONE	PART NO: <b>LCP6186FSILI-SR(R)</b>	SHEET 1/1

**Foot Note:**  
 Globtek Inc. will not be liable for the safety and performance of these power product if unauthorized access and repair occurs. End user should consult the applicable UL, CSA or EN Standards for proper installation instruction.

**Limitation of Use:**  
 Globtek product are not authorized for use as mission critical components in life support, hazardous environment, nuclear or aircraft applications without prior written approval from the CEO of Globtek Inc.

Contents of this document are subject to change without prior notice